



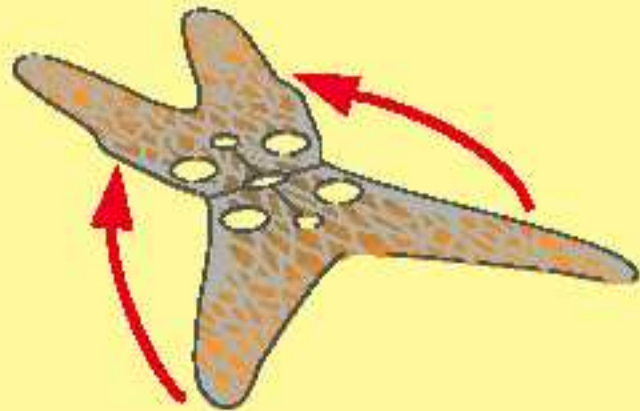
**4478**

Geonosian™ Fighter

# STAR WARS



1



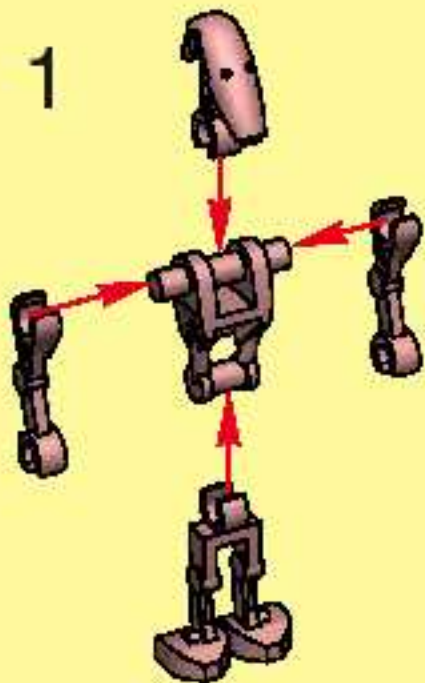
2



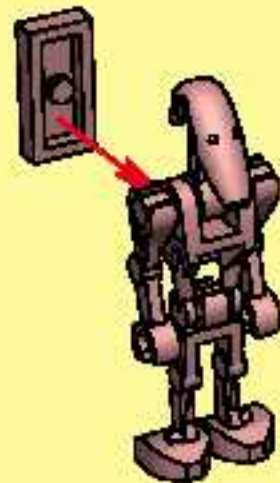
3



1



2

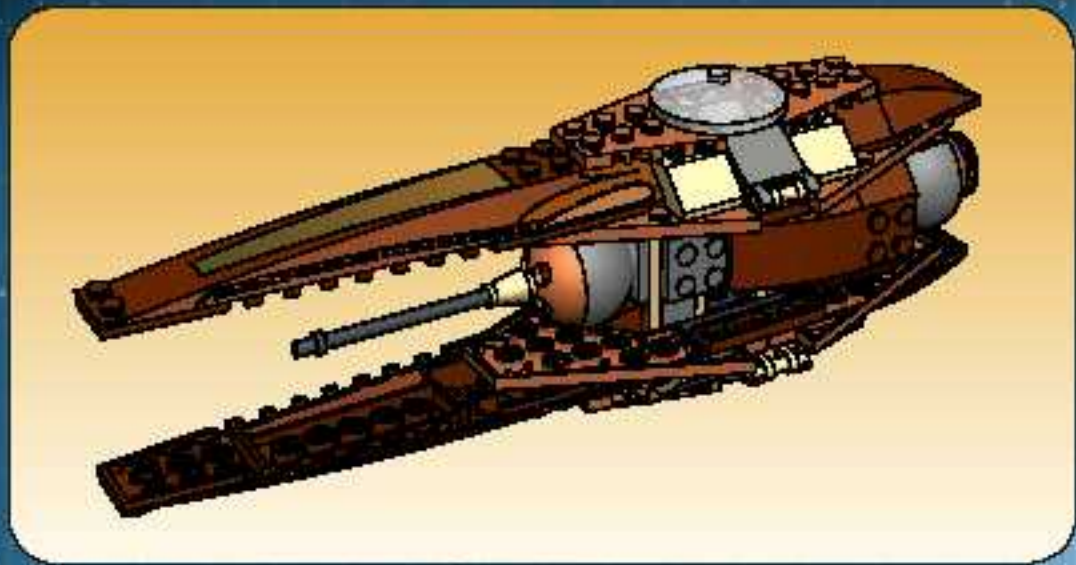


3

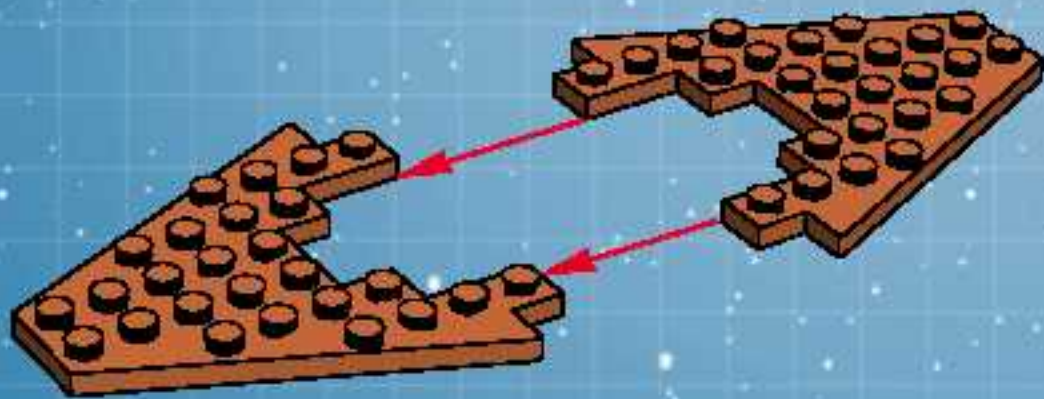


2x





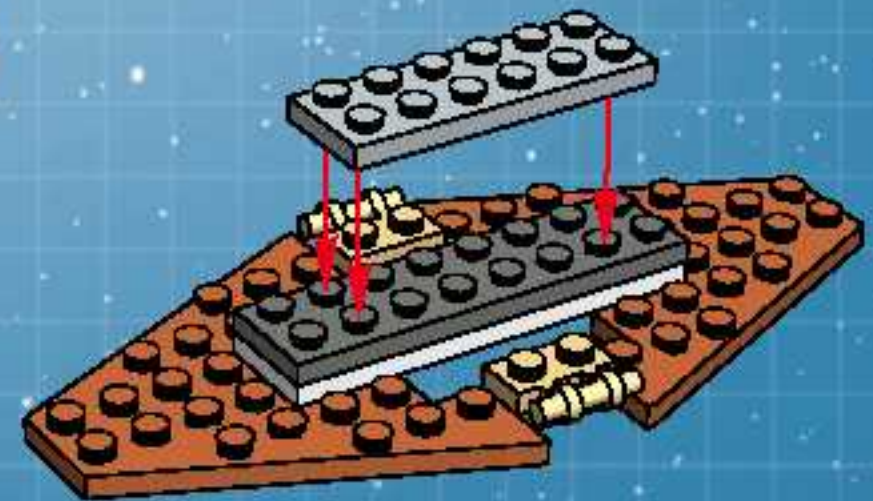
1



2



3



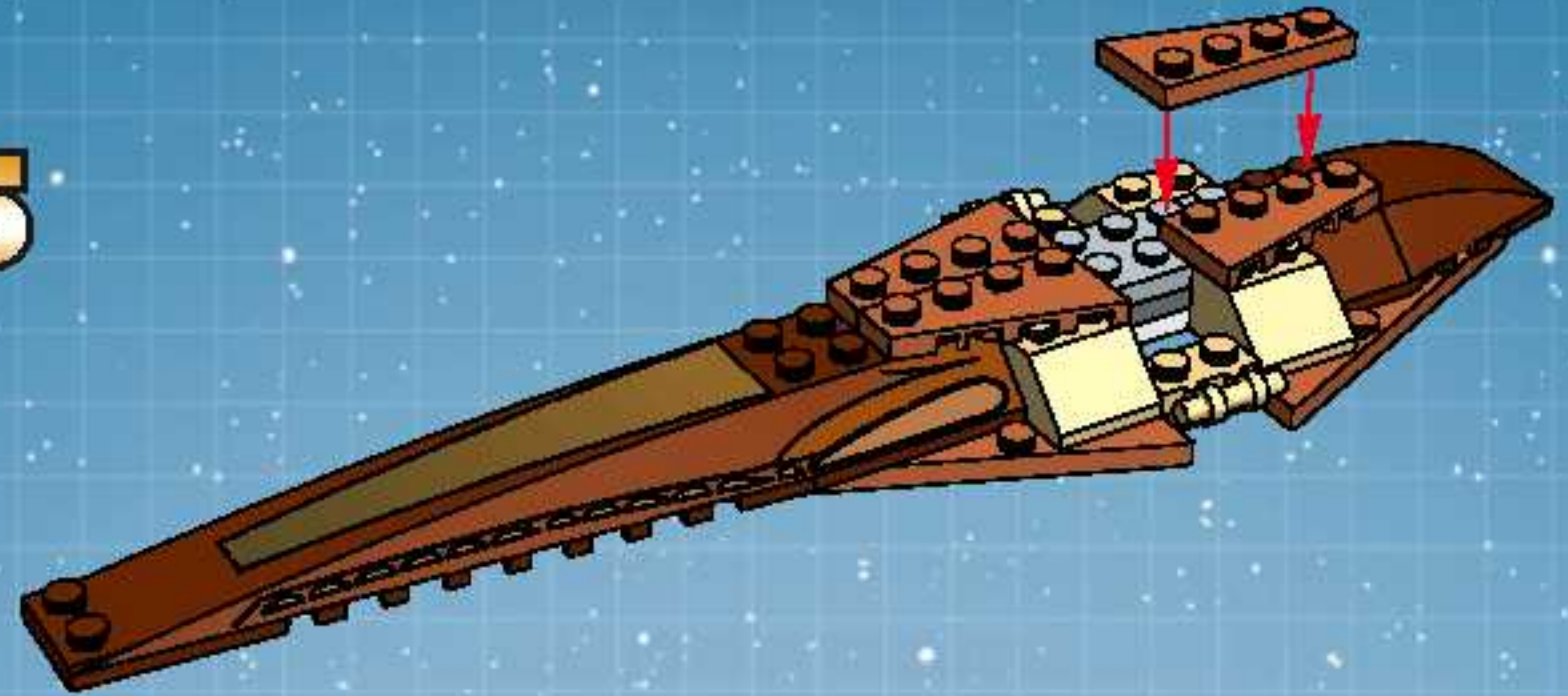
4



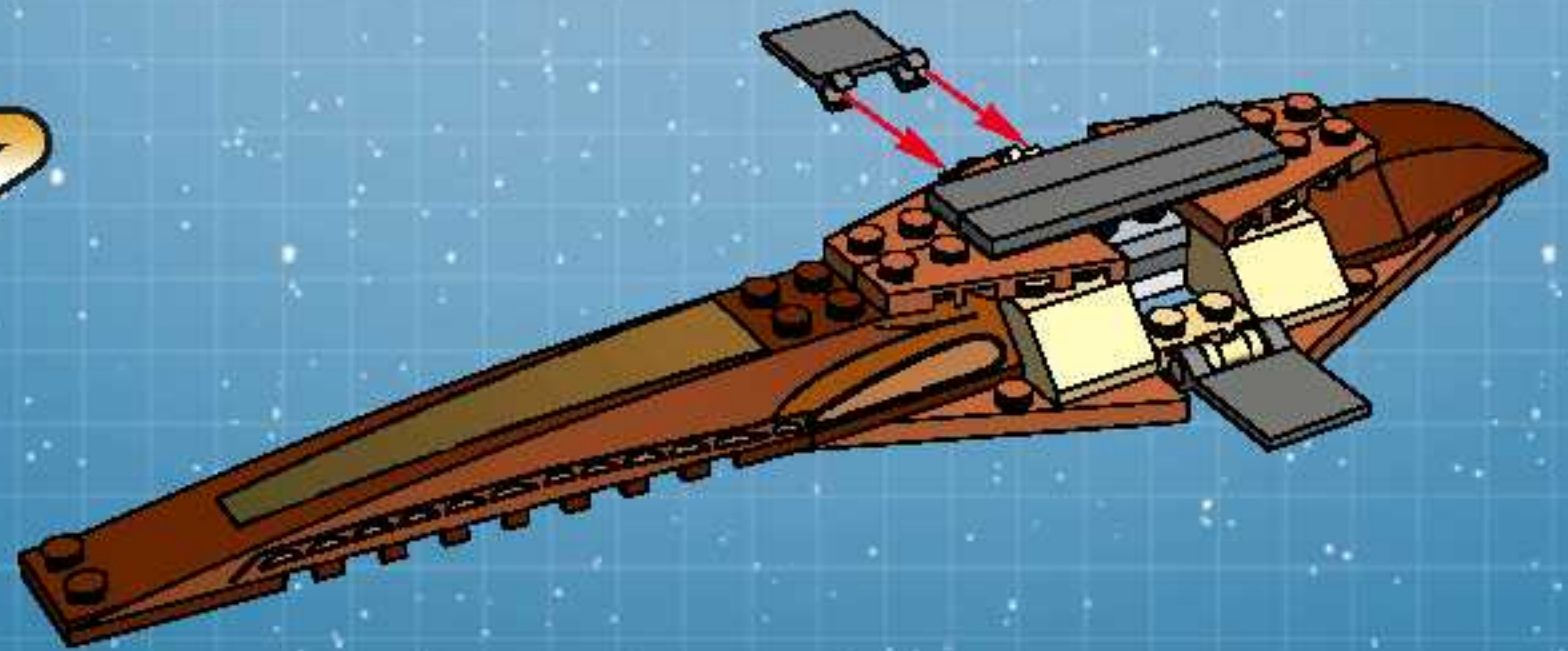
5



6



7



8



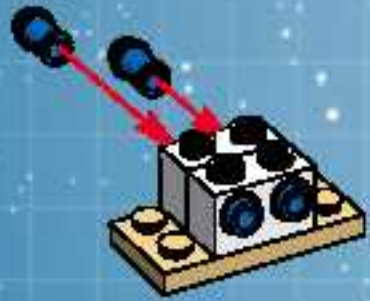
9



1



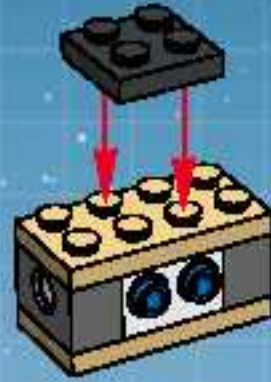
2



3



4



5



6



7



8



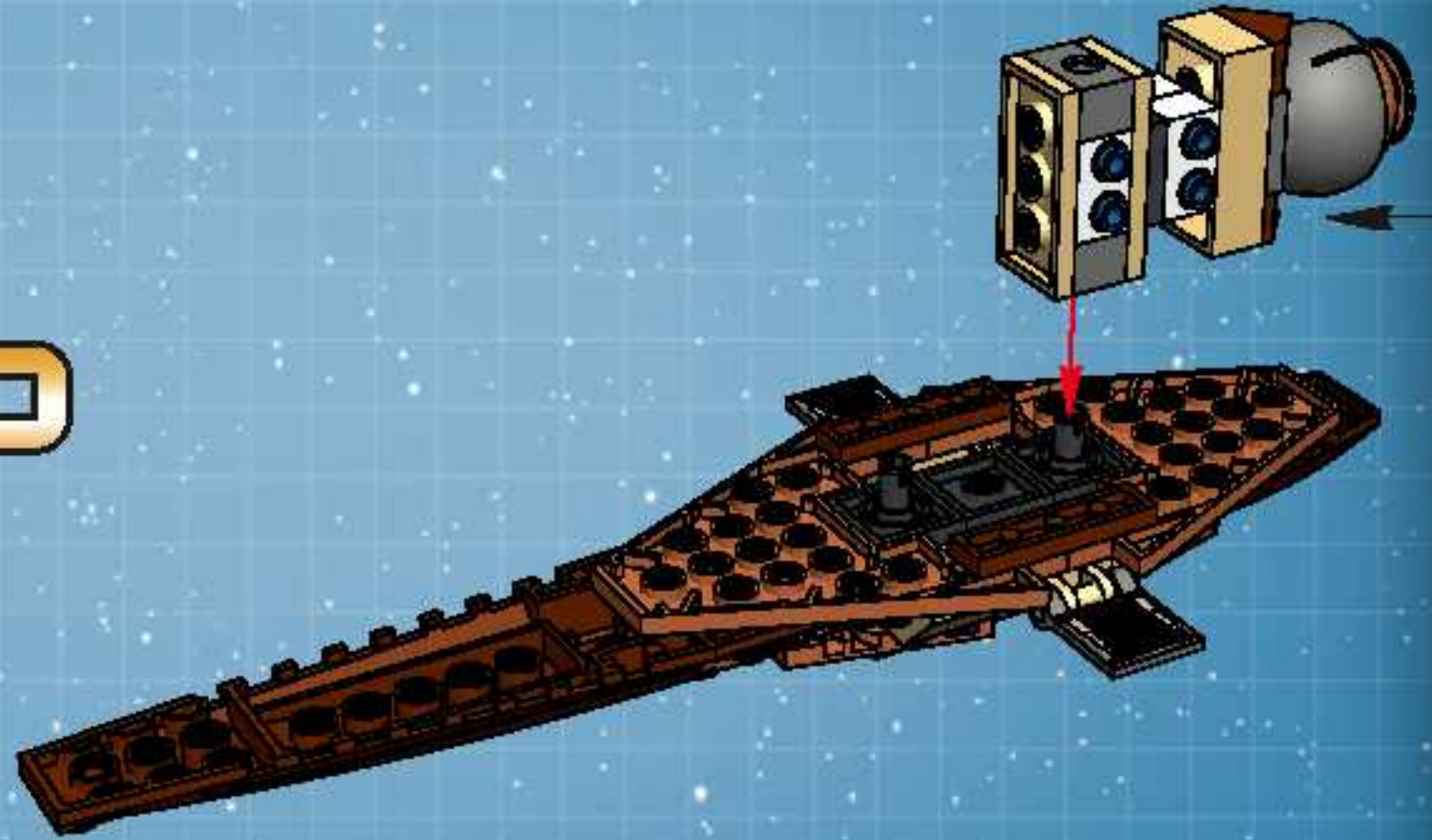
9



10



10

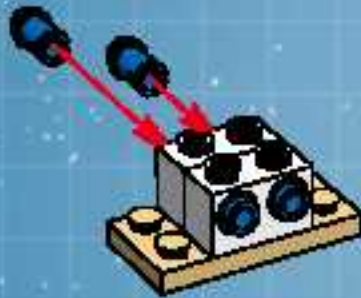




1



2



3



4



5



6



7



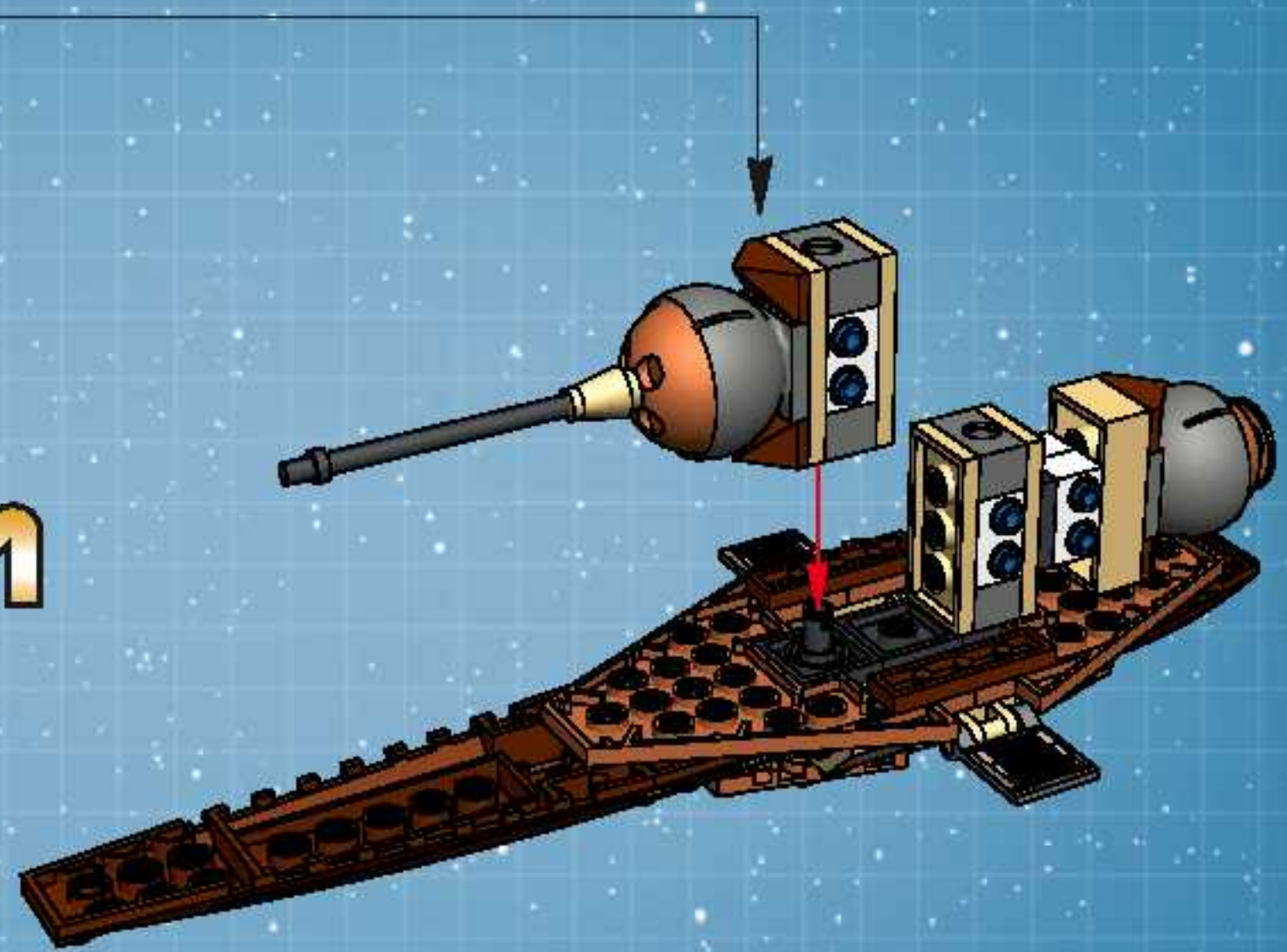
8

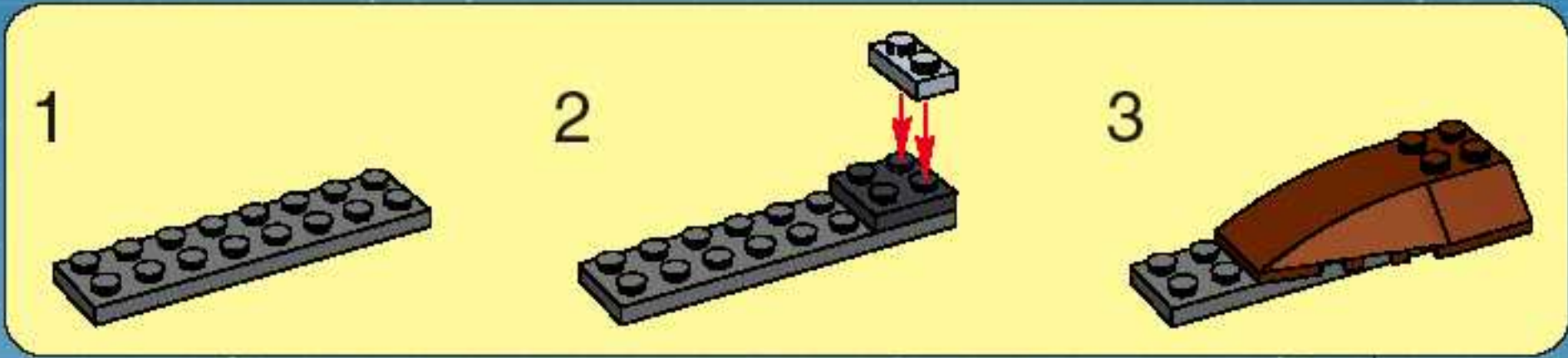


9

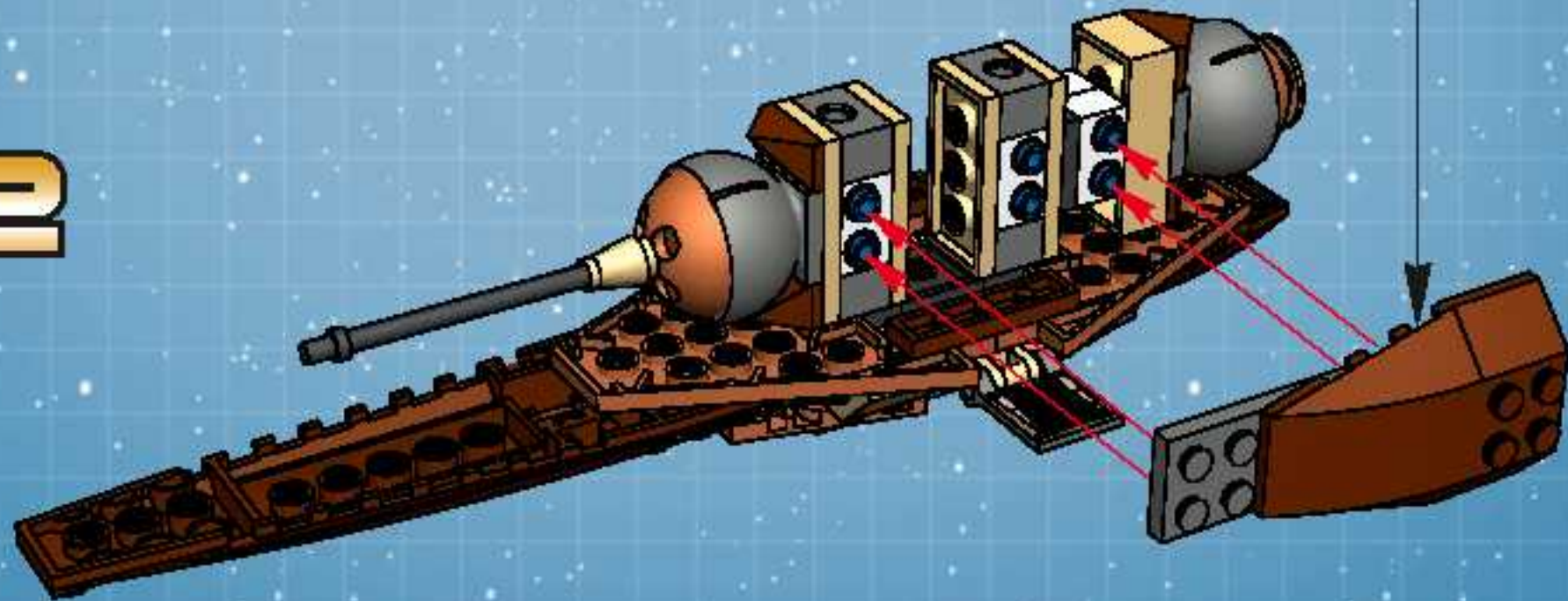


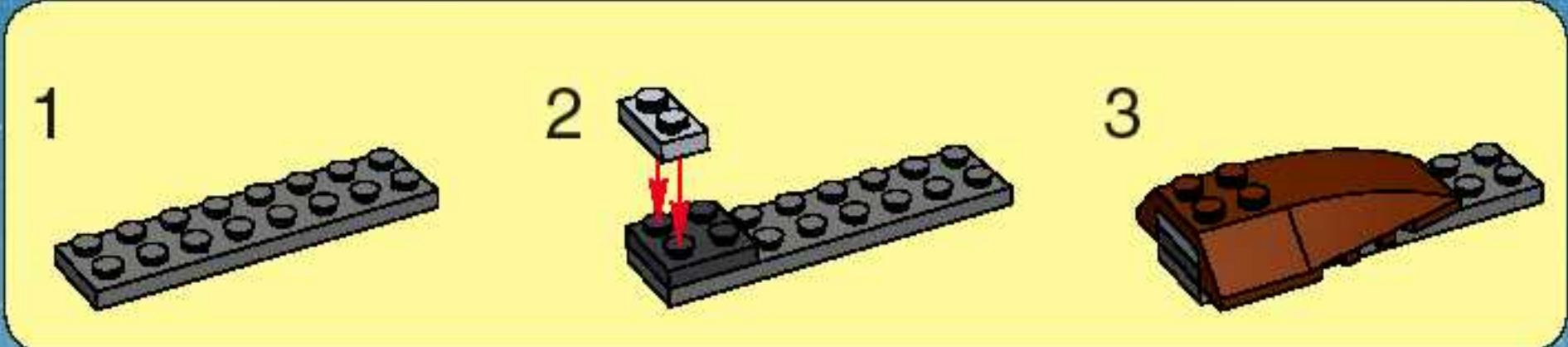
11



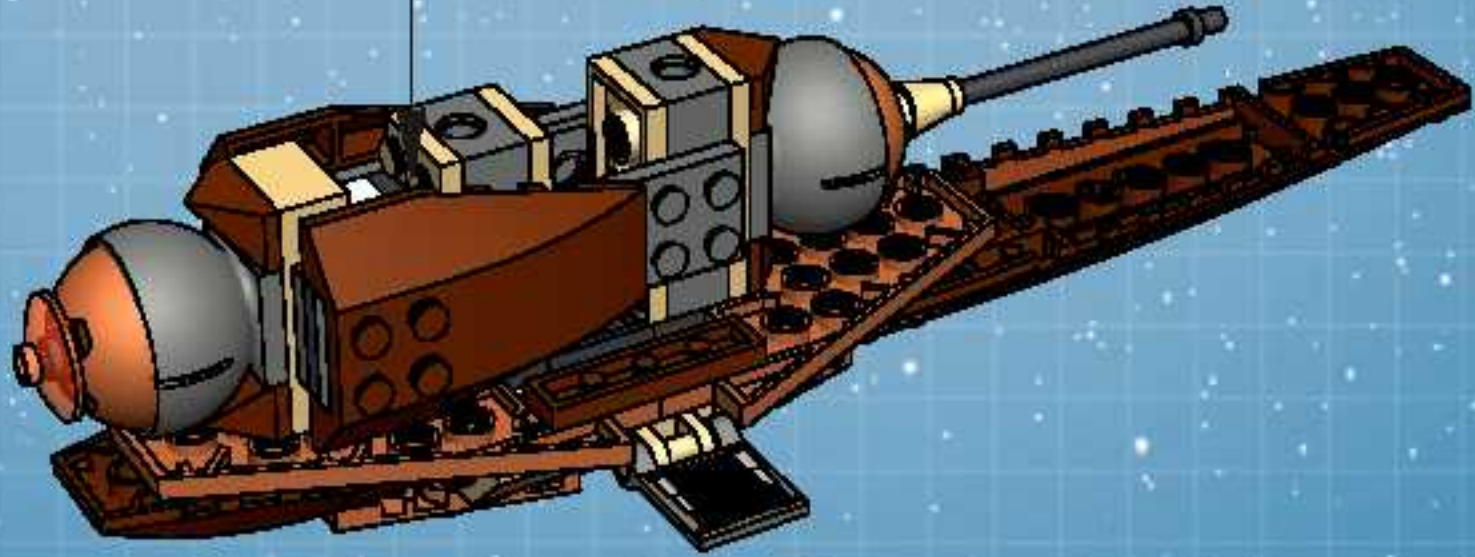


12

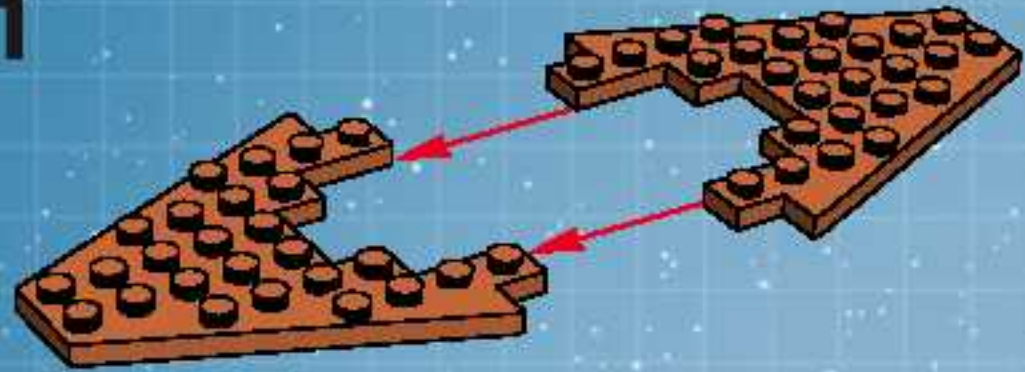




1B



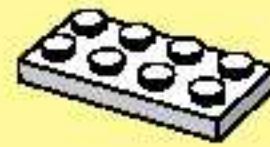
1



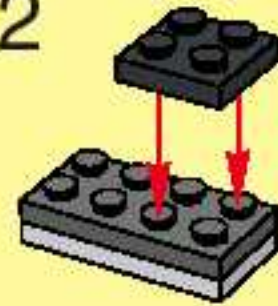
2



1



2

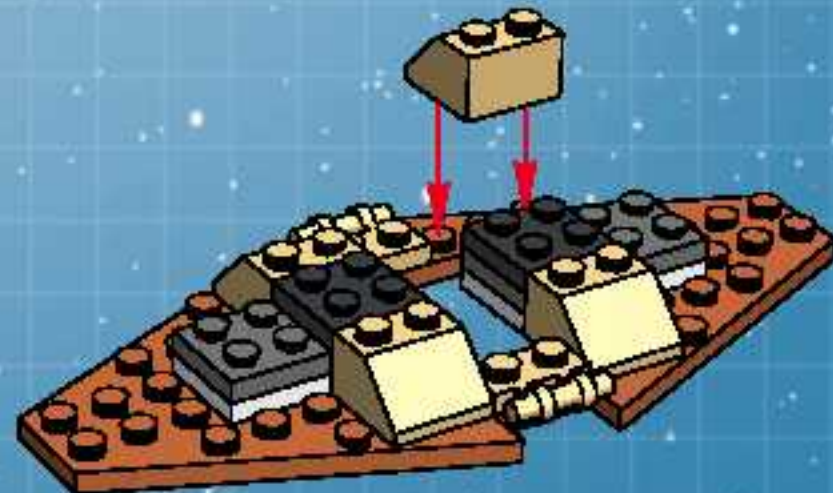


2x

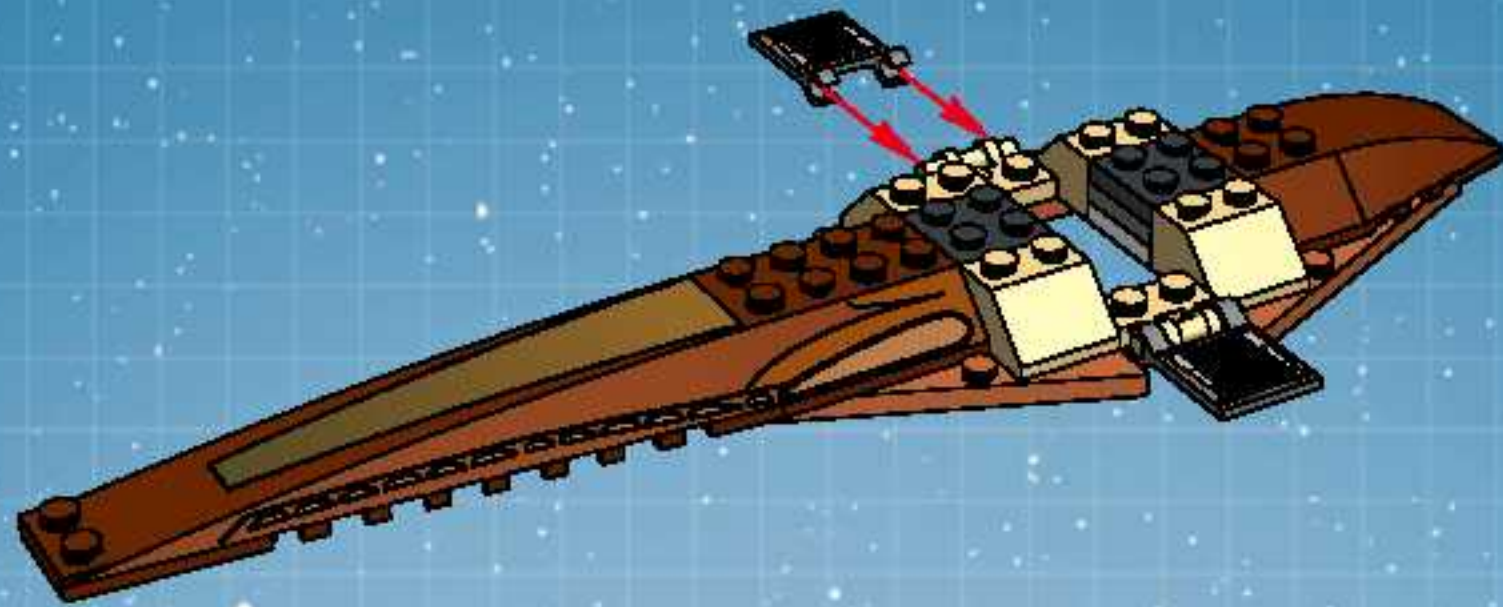
3



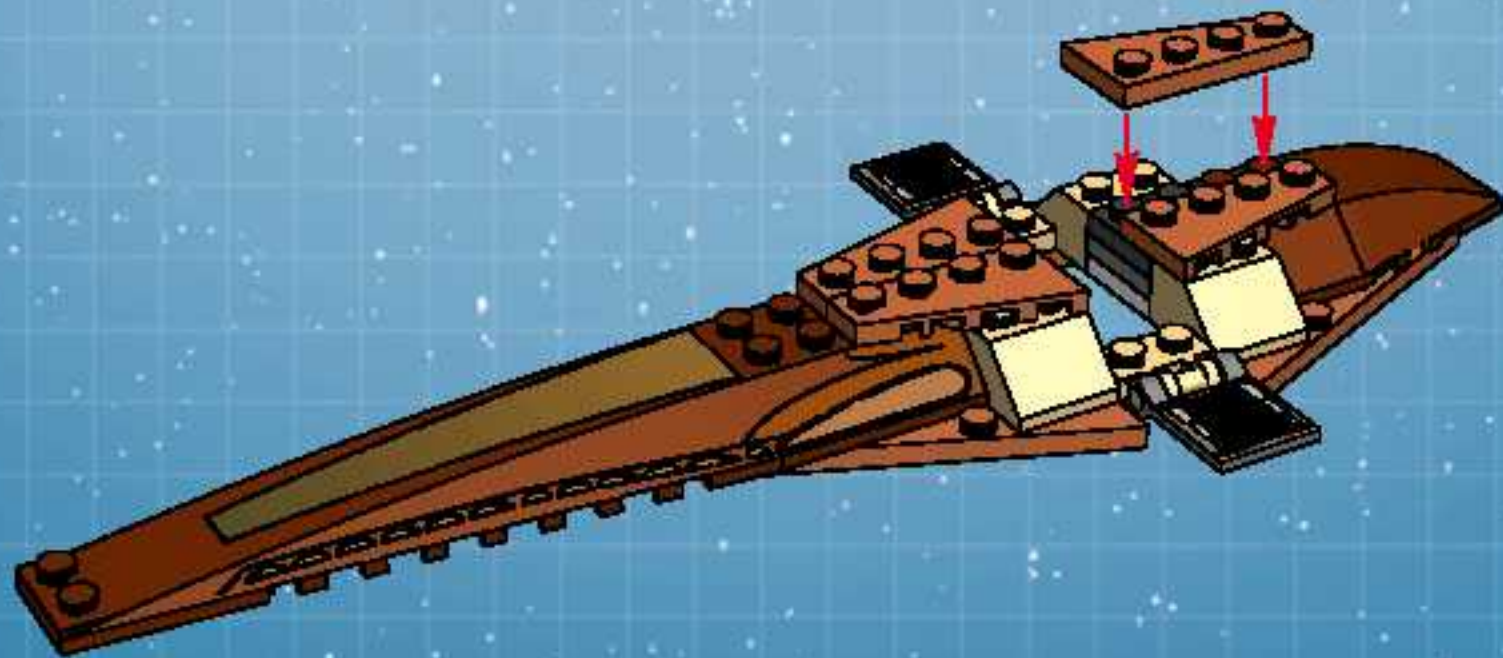
4



5



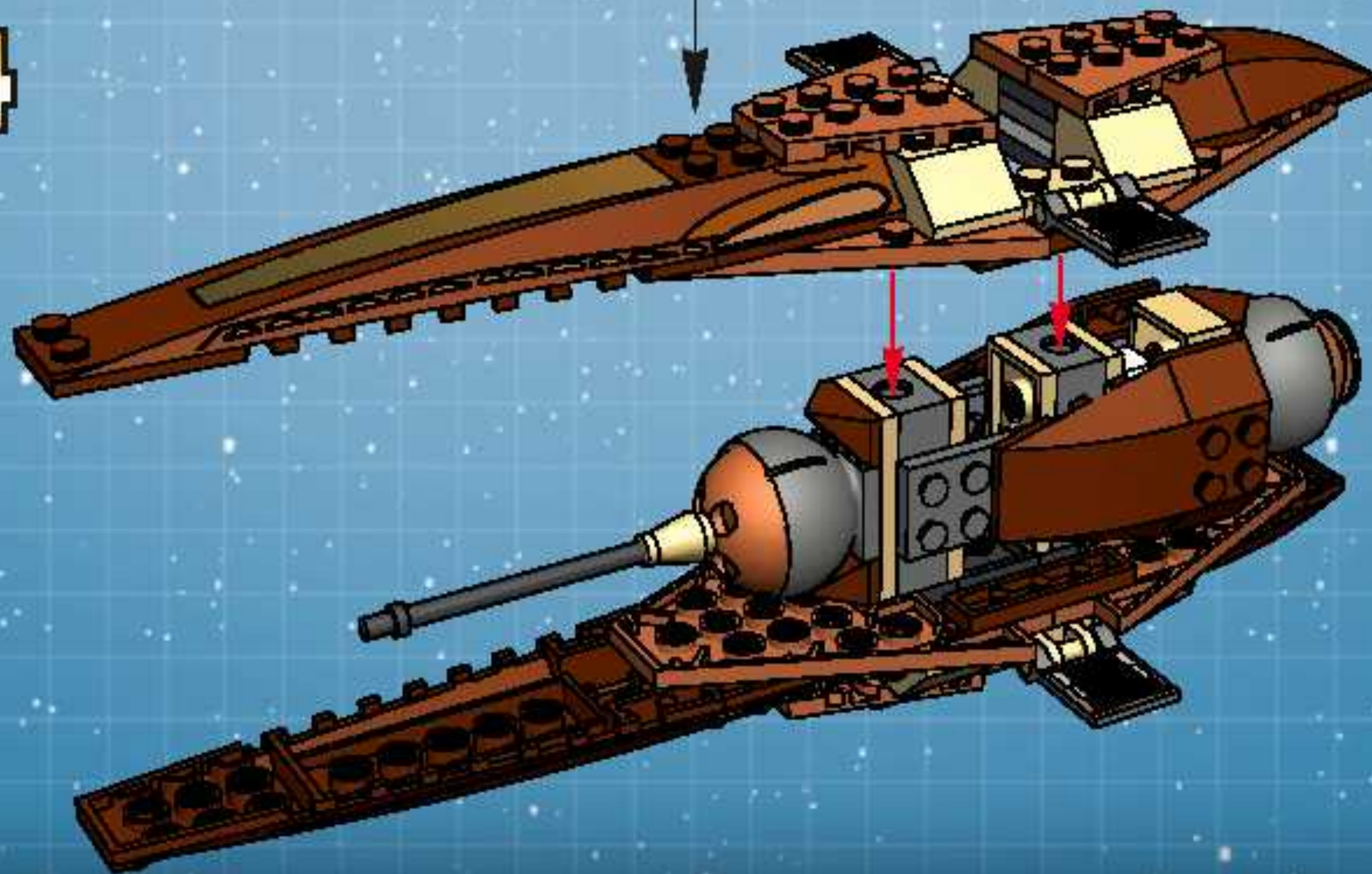
6



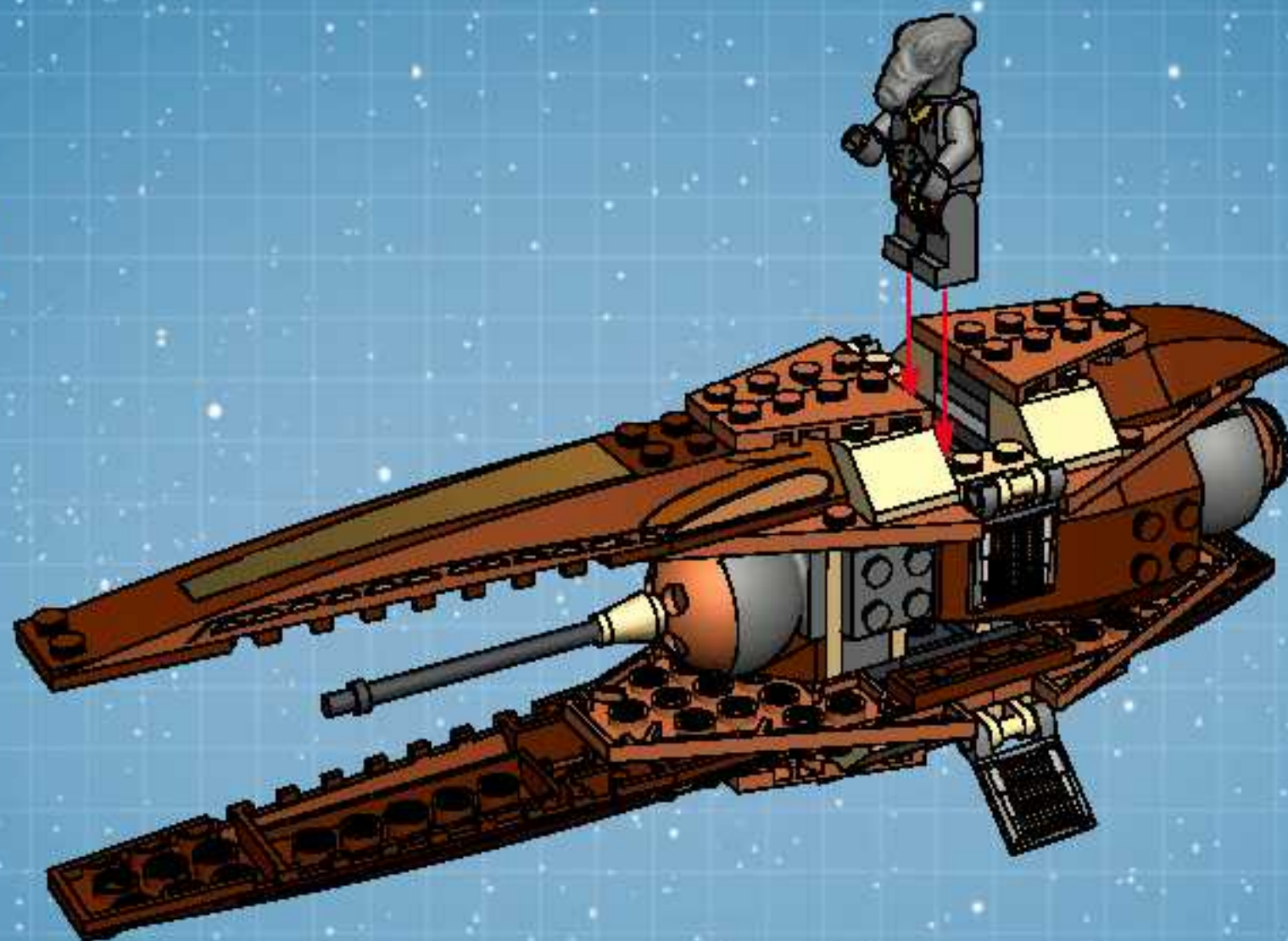
7



14

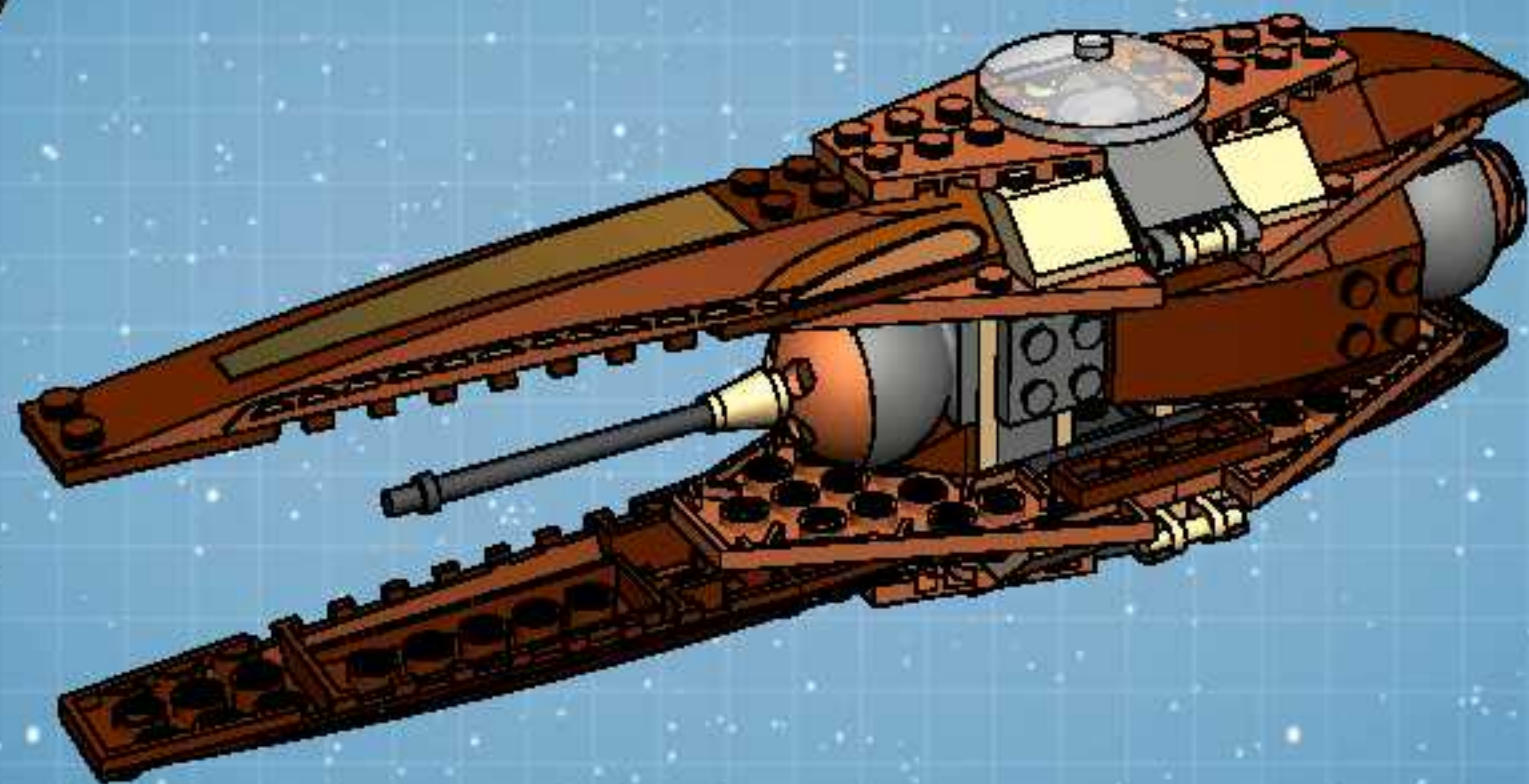


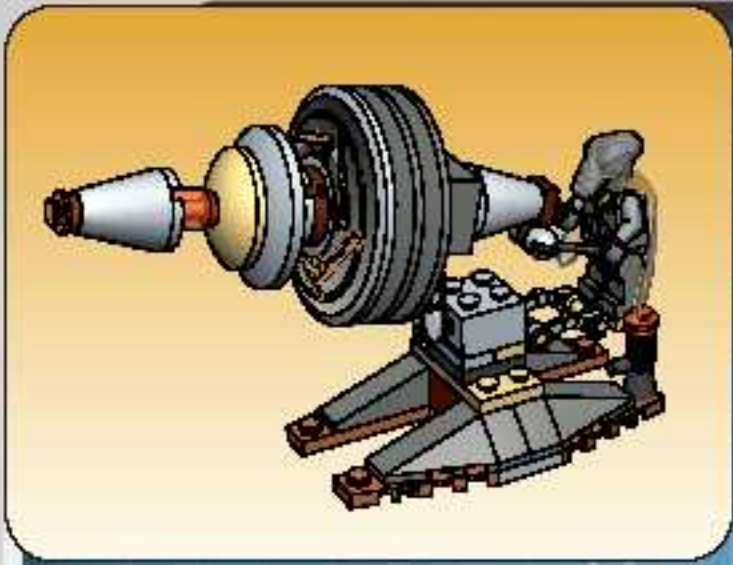
15



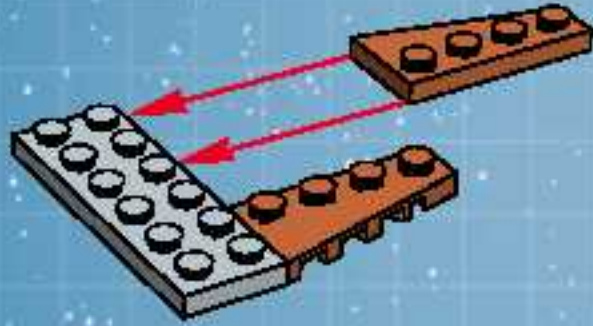


16





1



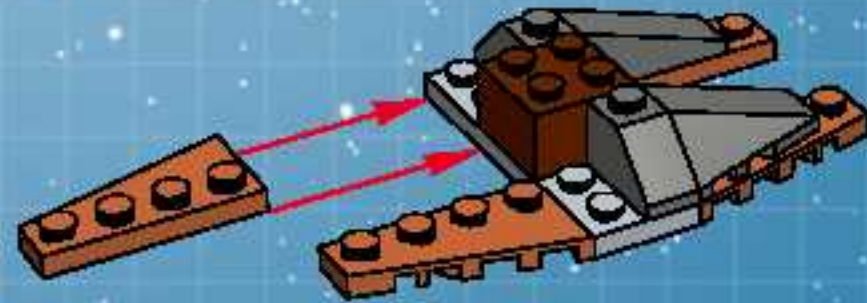
2



3



4



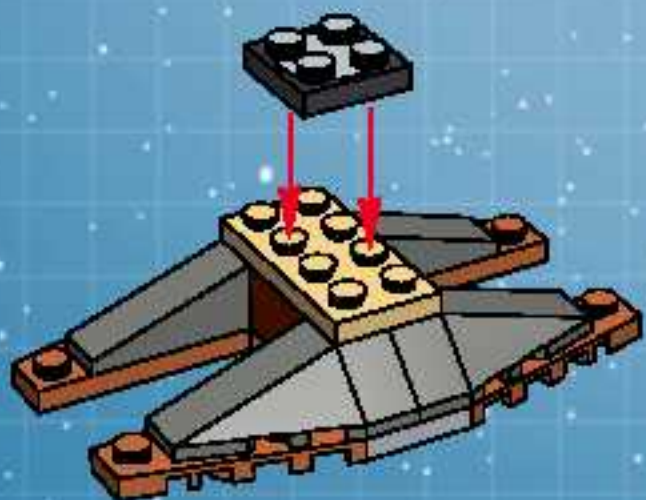
5



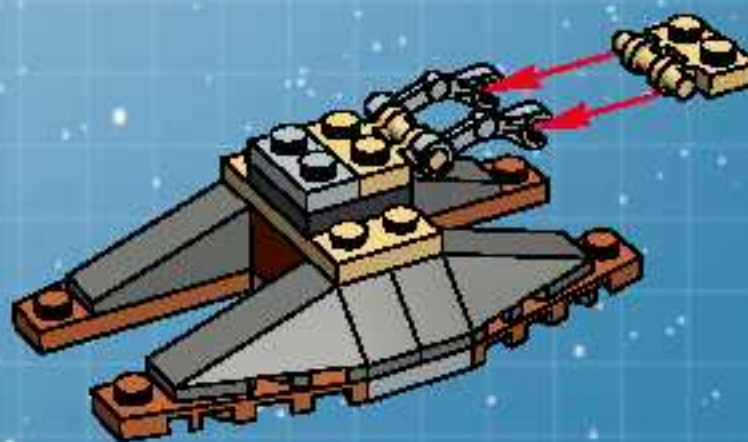
7



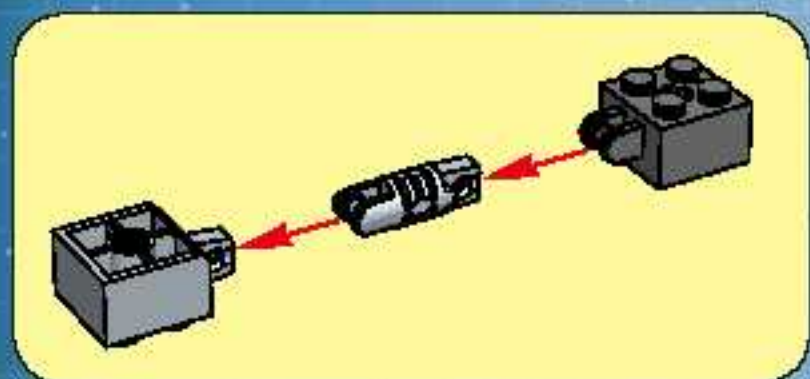
6



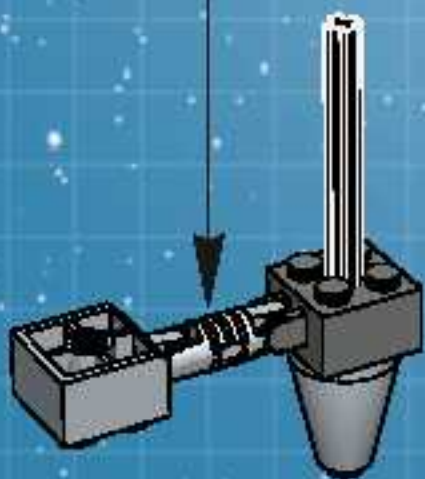
8



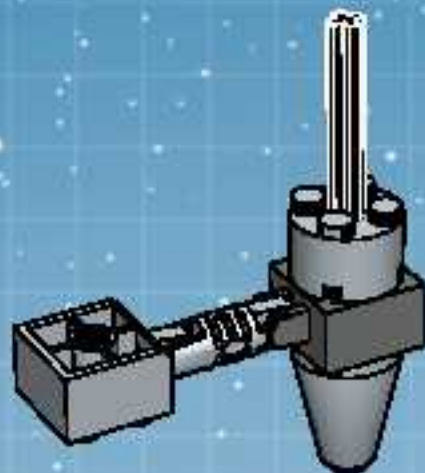
1



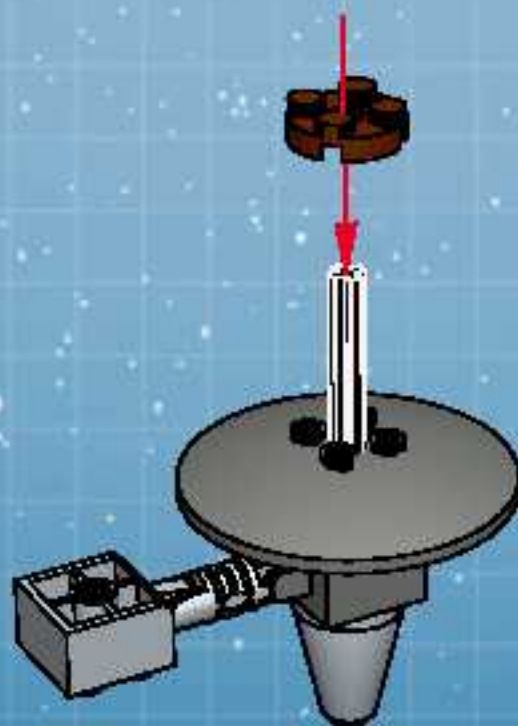
2



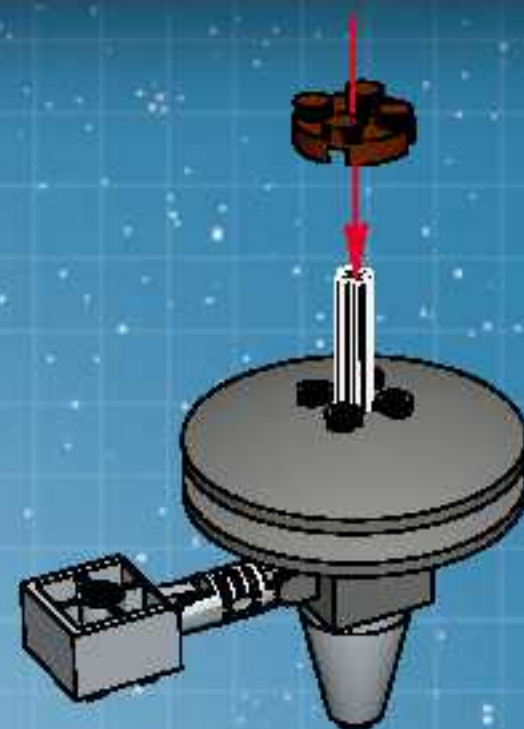
3



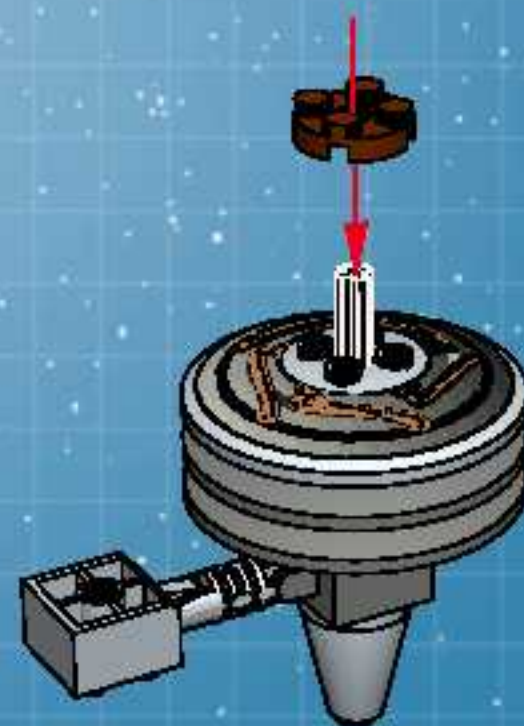
4



5



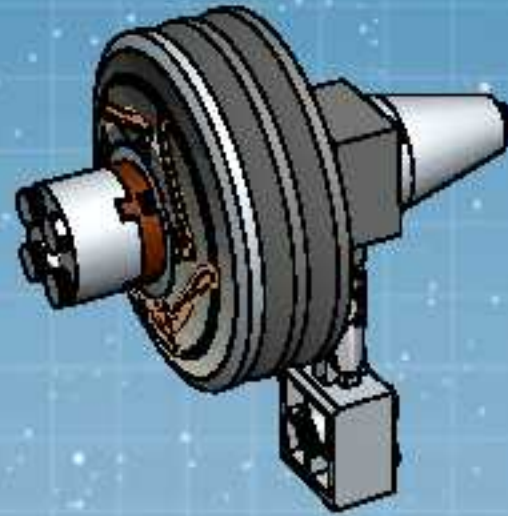
6



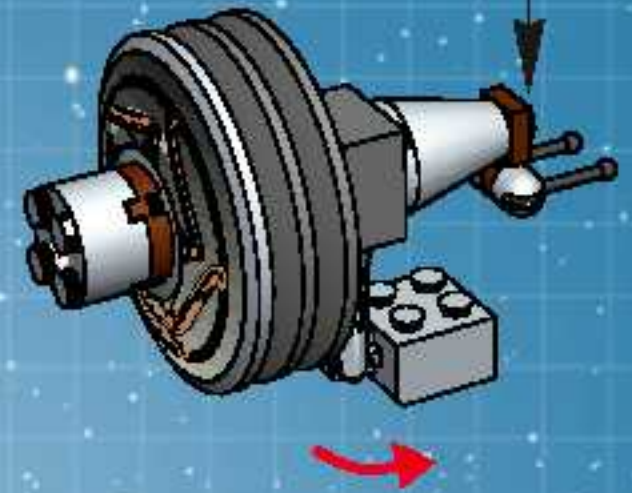
7



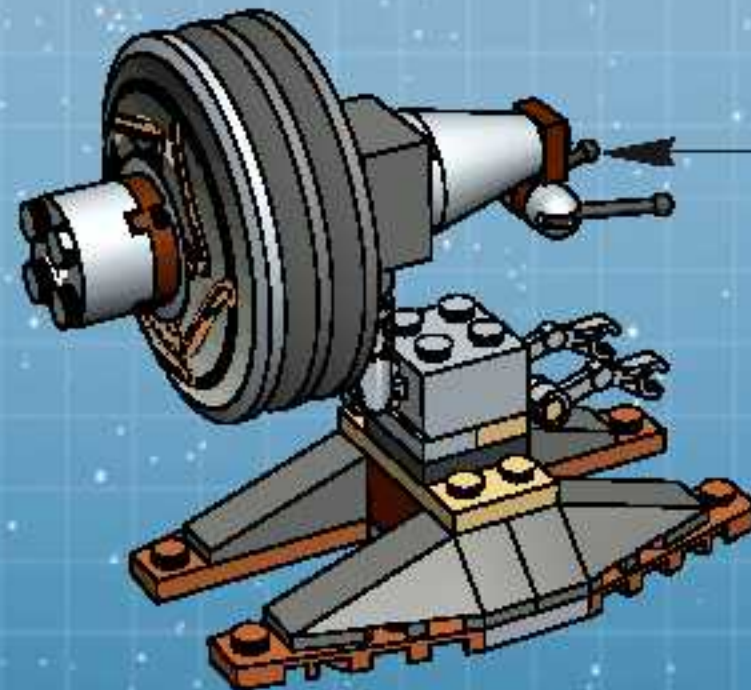
8



9



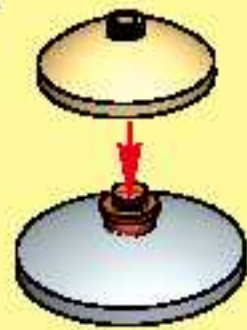
10



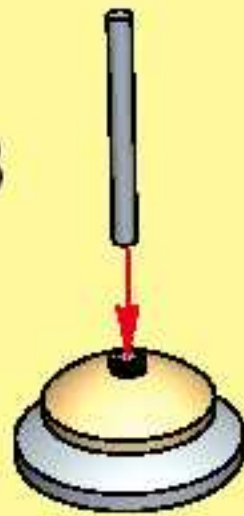
1



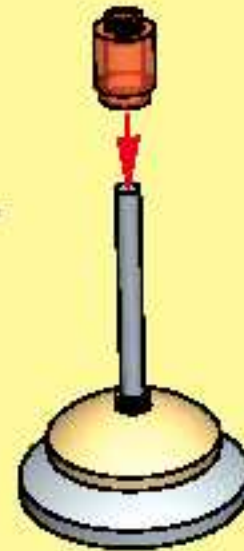
2



3



4



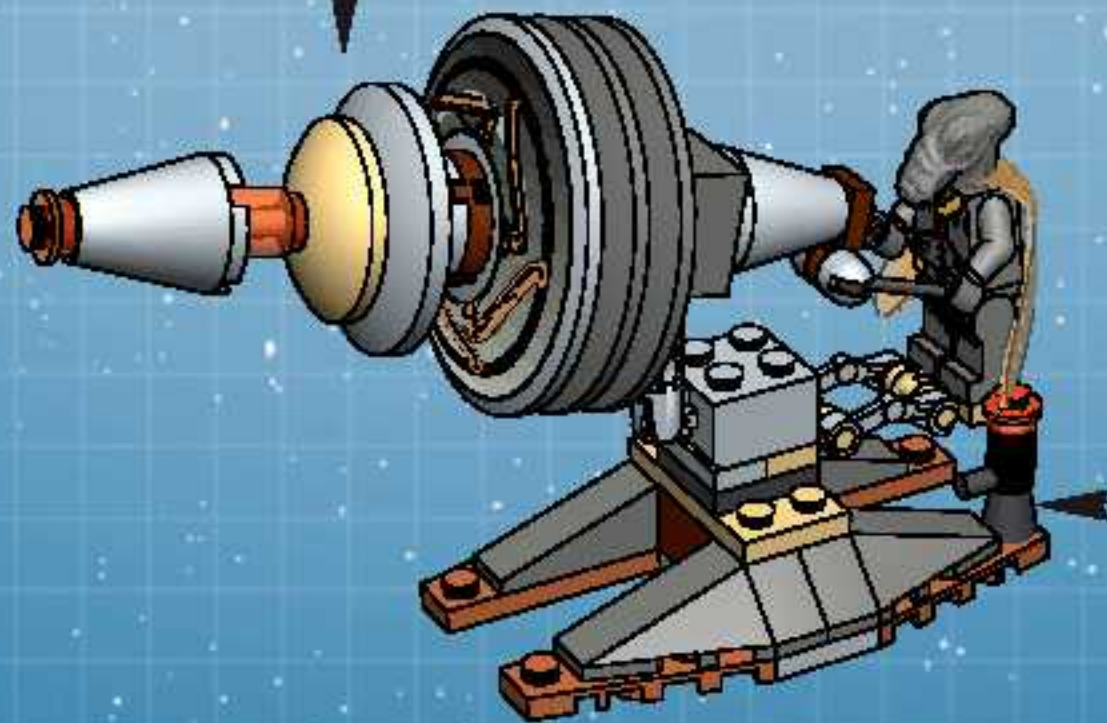
5

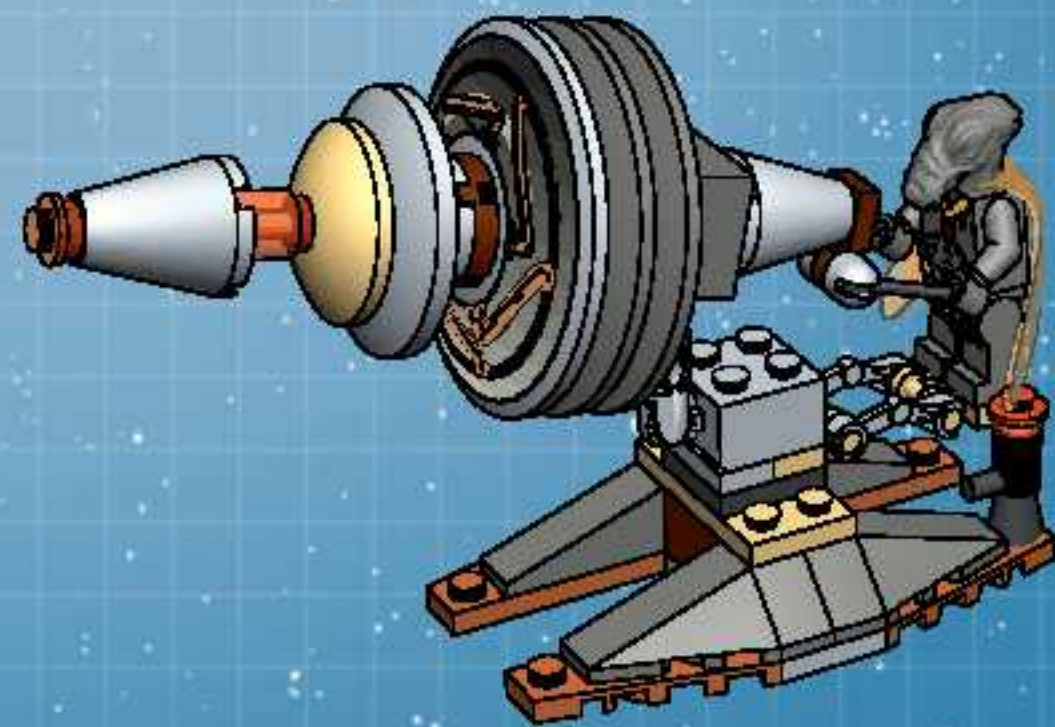
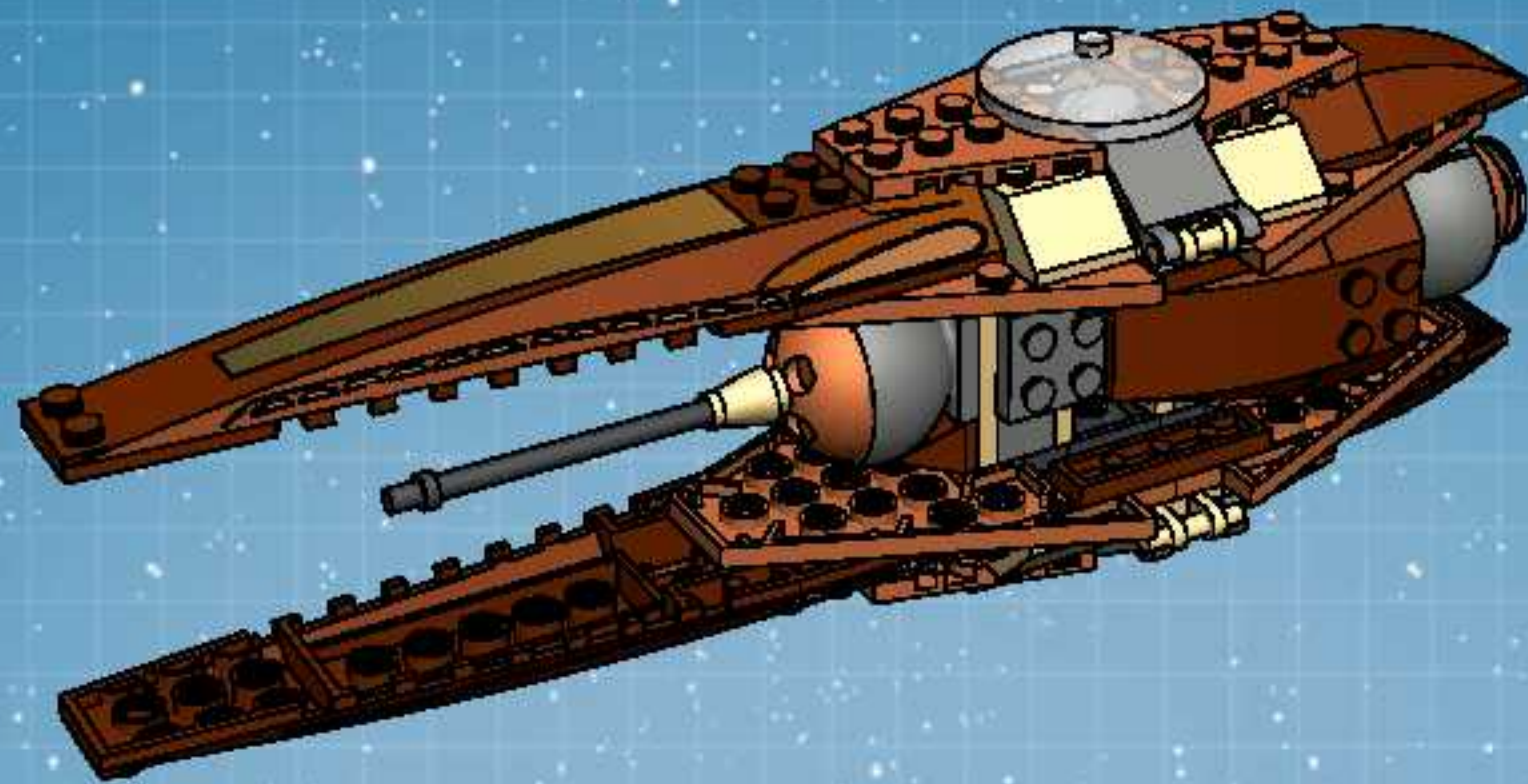


6



10







[www.LEGO.com](http://www.LEGO.com)

LEGO, the LEGO logo and the minifigure are trademarks of the LEGO Group.  
© 2003 The LEGO Group.

© 2003 Lucasfilm Ltd. & TM. All rights reserved. Used under authorization.

